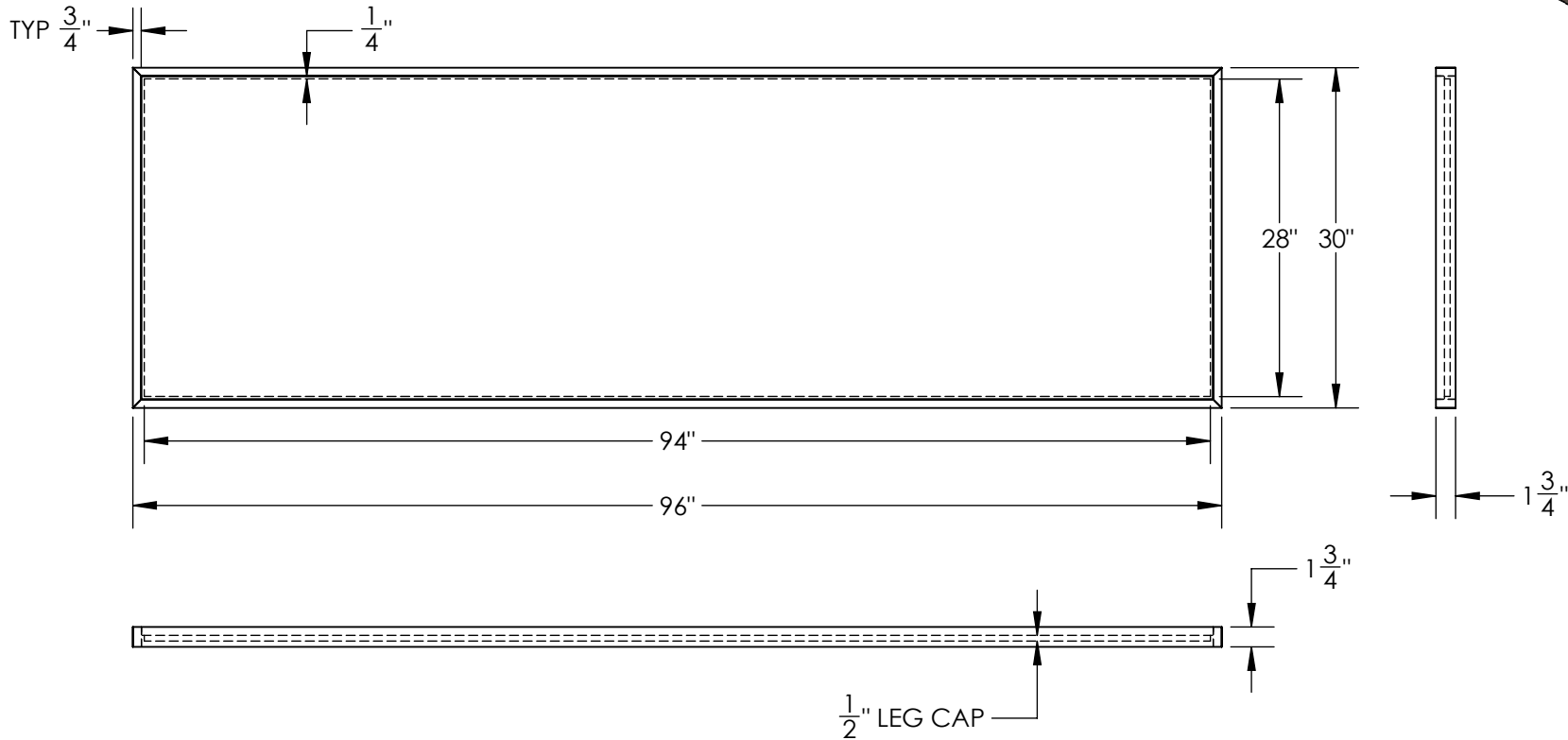
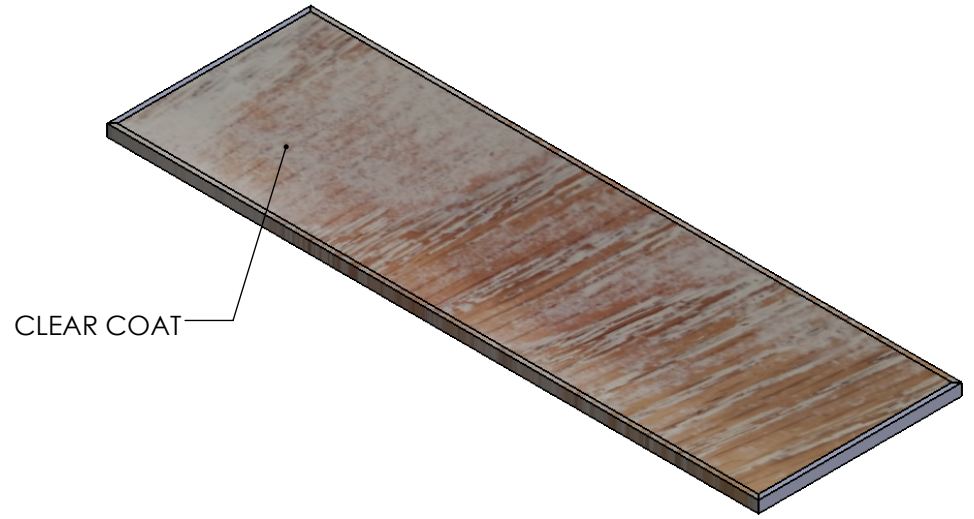


CONSTRUCTION NOTES:

1. USE 3/4" B2 OAK PLYWOOD AND 1 3/4" DROP EDGE
2. 1/2" C2 BIRCH LEG CAP
3. APPLY CLEAR COAT



LOCATION: *
SO#: *

TROPICAL SMOOTHIE

TOLERANCES:
(UNLESS OTHERWISE NOTED)
FRACTIONS: $\pm 1/16$ "
DECIMAL: ± 0.0625 "

TSTT3096

TABLE TOP 30" X 96"-ASSY

APPROVAL

NOTICE: THIS DRAWING IS THE PROPERTY OF QUALSERV SOLUTIONS INC. AND CONTAINS CONFIDENTIAL AND PROPRIETARY INFORMATION. NO PORTION OF THIS DRAWING MAY BE REPRODUCED OR COMMUNICATED WITHOUT EXPLICIT WRITTEN PERMISSION FROM QUALSERV SOLUTIONS INC.

DRAWN DATE: 6/22/2016

MODELED BY: SG

DRAWN BY: SG

CHECKED BY: *

APPROVED BY: *

DWG LSB: sgude

MODEL LSB: sgude

REVISIONS

REV.	DESCRIPTION	ECN	DATE	INITIALS
1	*	*	*	*
2	*	*	*	*
3	*	*	*	*
4	*	*	*	*

QualServ
7400 SOUTH 28th STREET
FORT SMITH, AR 72908
PH. 800-643-2980
FAX. 479-646-5517

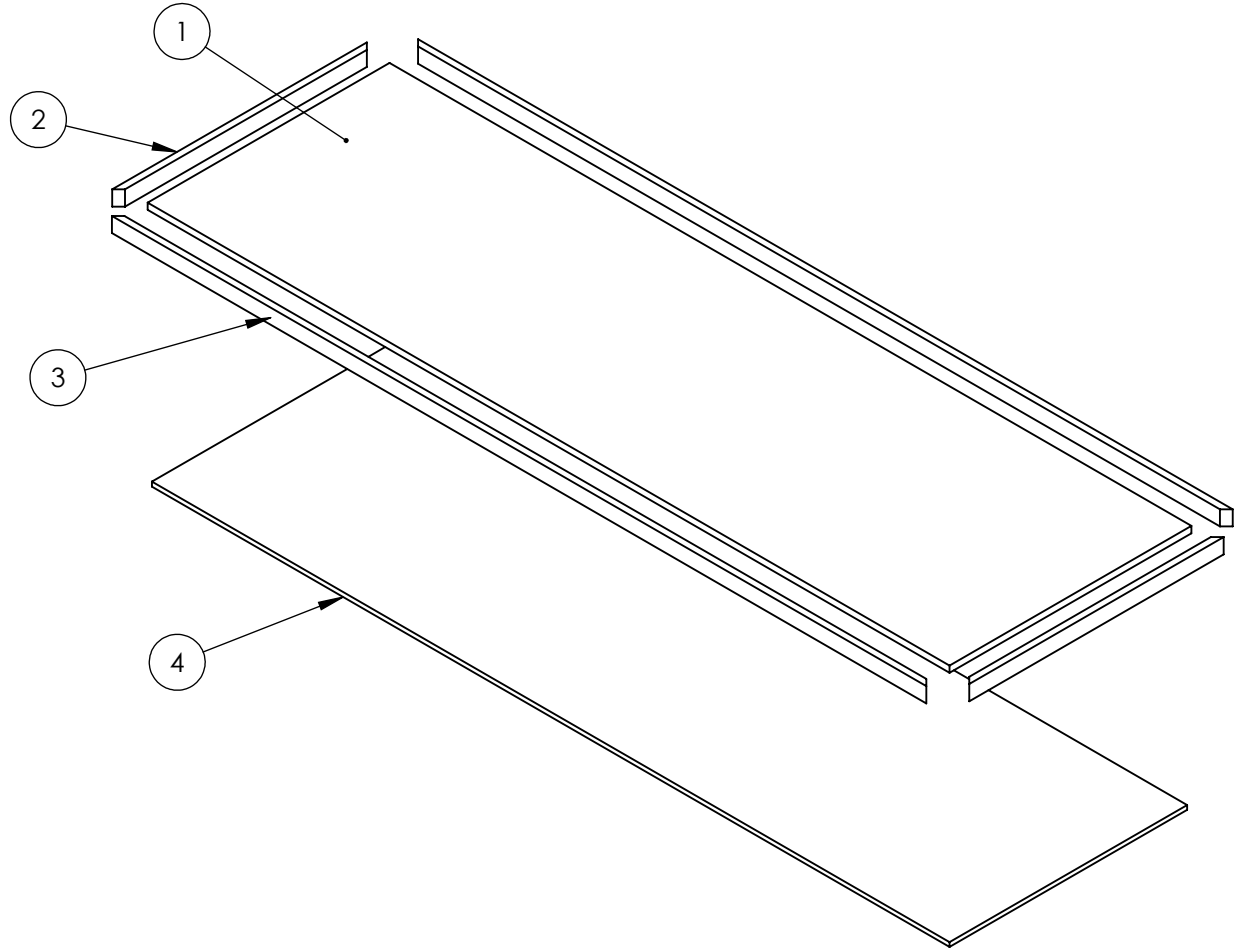
STORE#: *

SCALE =1:16

PAGE: 1 OF 2

DATE: 8/18/2017

ITEM NO.	QTY.	Thickness	Width	Length	SIDE UP	Material	SW-File Name(File Name)	S.P.	CNC	W	L	COLOR	REMARKS
1	1	3/4"	28 1/2"	94 1/2"		OAK PLY	TSTT3096-TOP		X			WHITE WASH	CLEAR COAT
2	2	3/4"	3/4"	30"		POPLAR	30IN DROP EDGE		X			WHITE WASH	CLEAR COAT
3	2	1 3/4"	3/4"	96"		OAK PLY	96IN DROP EDGE		X			WHITEWASH	CLEAR COAT
4	1	1/2"	28"	94		C2 BIRCH	TSTT3096-LEG CAP		X				



LOCATION: *
SO#: *

TROPICAL SMOOTHIE

TOLERANCES:
(UNLESS OTHERWISE NOTED) FRACTIONS: ± 1/16"
DECIMAL: ± 0.0625"

TSTT3096

TABLE TOP 30" X 96"-ASSY

BOM

NOTICE: THIS DRAWING IS THE PROPERTY OF QUALSERV SOLUTIONS INC. AND CONTAINS CONFIDENTIAL AND PROPRIETARY INFORMATION. NO PORTION OF THIS DRAWING MAY BE REPRODUCED OR COMMUNICATED WITHOUT EXPLICIT WRITTEN PERMISSION FROM QUALSERV SOLUTIONS INC.

DRAWN DATE: 6/22/2016

MODELED BY: SG

DRAWN BY: SG

CHECKED BY: *

APPROVED BY: *

DWG LSB: sgude

MODEL LSB: sgude

REVISIONS

REV.	DESCRIPTION	ECN	DATE	INITIALS
1	*	*	*	*
2	*	*	*	*
3	*	*	*	*
4	*	*	*	*

QualServ
7400 SOUTH 28th STREET
FORT SMITH, AR 72908
PH. 800-643-2980
FAX. 479-646-5517

STORE#: *

SCALE =1:16

PAGE: 2 OF 2

DATE: 8/18/2017