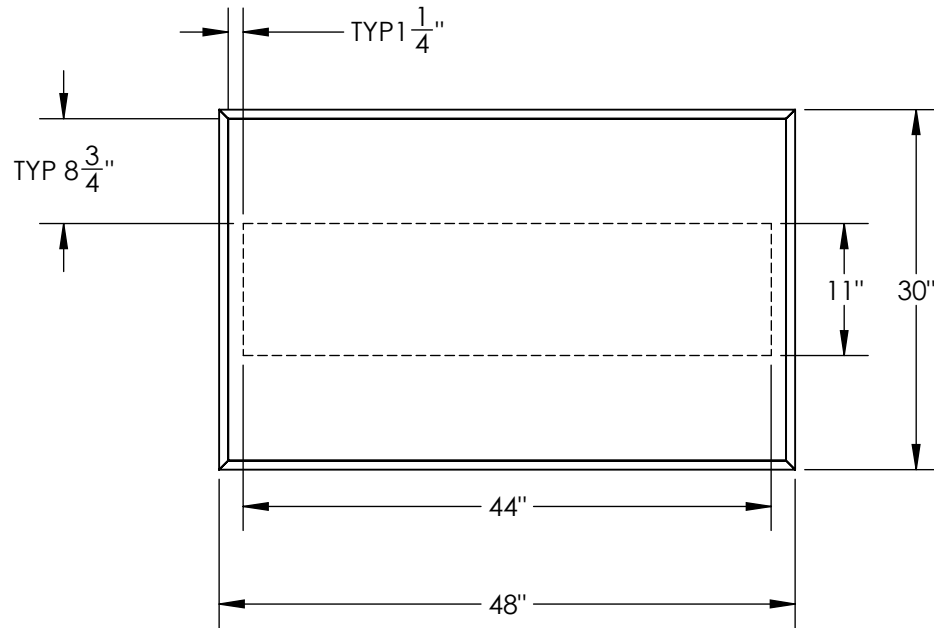
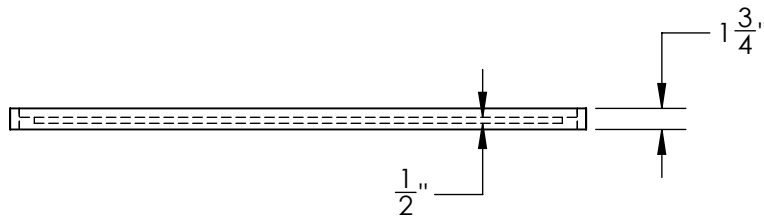
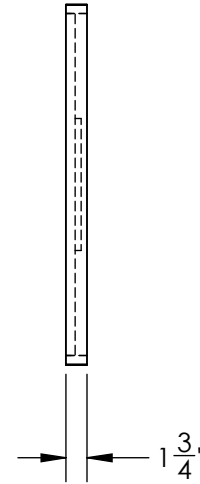


CONSTRUCTION NOTES:

1. USE 3/4" B2 OAK PLY AND 1 3/4" DROP EDGE
2. 1/2" C2 BIRCH FOR LEG CAP
3. APPLY CLEAR COAT



OAK PLY WHITE WASH FINISH



LOCATION: *
SO#: *

TOLERANCES:
(UNLESS OTHERWISE NOTED) FRACTIONS: ± 1/16"
DECIMAL: ± 0.0625"

QualServ
7400 SOUTH 28th STREET
FORT SMITH, AR 72908
PH. 800-643-2980
FAX. 479-646-5517

TROPICAL SMOOTHIE
TSTT3048
TABLE TOP 30"X 48"-ASSY
OVER ALL

STORE#: * SCALE = 1:16 PAGE: 1 OF 6

NOTICE: THIS DRAWING IS THE PROPERTY OF QUALSERV SOLUTIONS INC. AND CONTAINS CONFIDENTIAL AND PROPRIETARY INFORMATION. NO PORTION OF THIS DRAWING MAY BE REPRODUCED OR COMMUNICATED WITHOUT EXPLICIT WRITTEN PERMISSION FROM QUALSERV SOLUTIONS INC.

DRAWN DATE: 4/17/2017

MODELED BY: RSW

DRAWN BY: SG

CHECKED BY: *

APPROVED BY: *

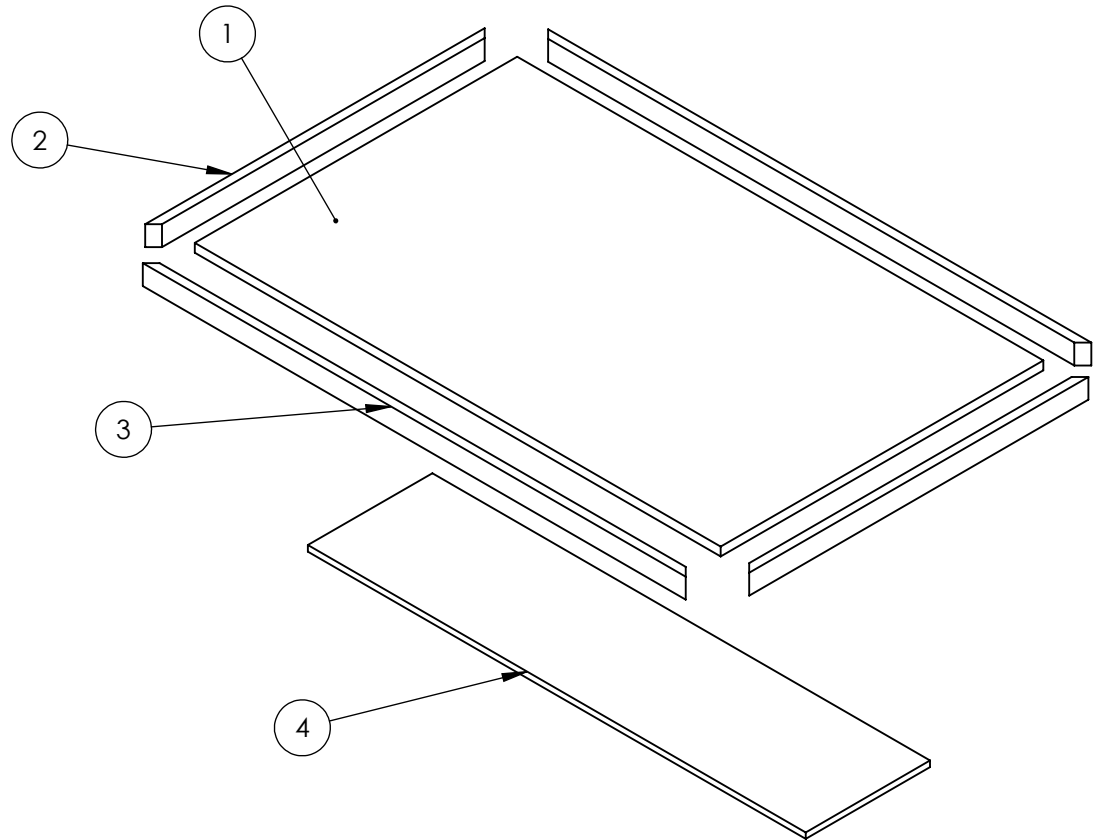
DWG LSB:sgude

MODEL LSB:sgude

REV.	DESCRIPTION	REVISIONS			
		ECN	DATE	INITIALS	
1	*	*	*	*	
2	*	*	*	*	
3	*	*	*	*	
4	*	*	*	*	

DATE: 6/22/2017

ITEM NO.	QTY.	Thickness	Width	Length	SIDE UP	Material	SW-File Name(File Name)	S.P.	CNC	W	L	COLOR	REMARKS
1	1	3/4"	28 1/2"	46 1/2"		B2 OAK PLY	TSTT3048-TOP		X			WHITE WASH	CLEAR COAT
2	2	3/4"	1 3/4"	30"		POPLAR	30IN DROP EDGE		X			WHITE WASH	CLEAR COAT
3	2	3/4"	1 3/4"	48"		POPLAR	48IN DROP EDGE		X			WHITE WASH	CLEAR COAT
4	1	1/2"	11"	11"		C2 BIRCH	TSTT3048-LEG CAP		X				



LOCATION: *
SO#: *

TROPICAL SMOOTHIE

TOLERANCES:
(UNLESS OTHERWISE NOTED)
FRACTIONS: ± 1/16"
DECIMAL: ± 0.0625"

TSTT3048

TABLE TOP 30"X 48"-ASSY

BOM

NOTICE: THIS DRAWING IS THE PROPERTY OF QUALSERV SOLUTIONS INC. AND CONTAINS CONFIDENTIAL AND PROPRIETARY INFORMATION. NO PORTION OF THIS DRAWING MAY BE REPRODUCED OR COMMUNICATED WITHOUT EXPLICIT WRITTEN PERMISSION FROM QUALSERV SOLUTIONS INC.

DRAWN DATE: 4/17/2017

MODELED BY: RSW

DRAWN BY: SG

CHECKED BY: *

APPROVED BY: *

DWG LSB: sgude

MODEL LSB: sgude

REVISIONS

REV.	DESCRIPTION	ECN	DATE	INITIALS
1	*	*	*	*
2	*	*	*	*
3	*	*	*	*
4	*	*	*	*

QualServ
7400 SOUTH 28th STREET
FORT SMITH, AR 72908
PH. 800-643-2980
FAX. 479-646-5517

STORE#: * SCALE = 1:12 PAGE: 2 OF 6

DATE: 6/22/2017